

Build-A-Box™

Modular Aluminum Trench Shielding System



Purpose:

The Build-A-Box™ Modular Aluminum Trench Shield System can be assembled in minutes to a wide variety of two, three, or four-sided configurations. This flexibility enables work crews to make on-the-spot design changes to meet job requirements in conditions ranging from light to extreme. Most systems are easily transported in a pick-up truck or trailer for quick application.

Common Applications:

- Sewer & Water Valves
- Hydrants & Taps
- Spot Repairs
- Gas and Electric Utility

Features:

- Pick-up truck transportable
- Can be hand-assembled in minutes
- Narrow, smooth aluminum sidewalls reduce dirt build-up
- Tongue and groove design
- Foam-filled
- Lifting Lugs
- Professional Engineer design and depth certification

Options:

- T-connection cut-outs
- Sheeting Guide Frame
- Sectional or Full Length corner posts
- 3-Way T-Posts

Spreader Options:

- Telescoping Adjustable Spreaders
- Height Adapters



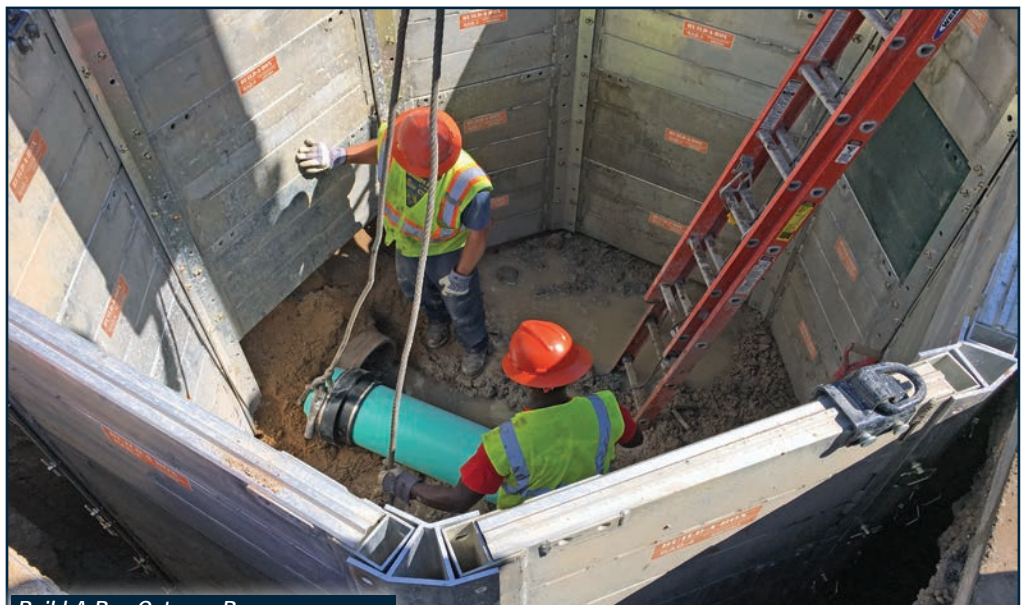
2-Sided Build-A-Box



3-Sided Build-A-Box



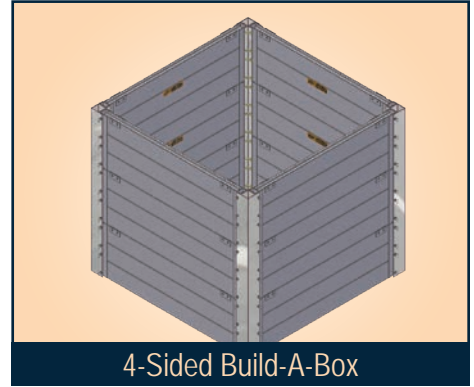
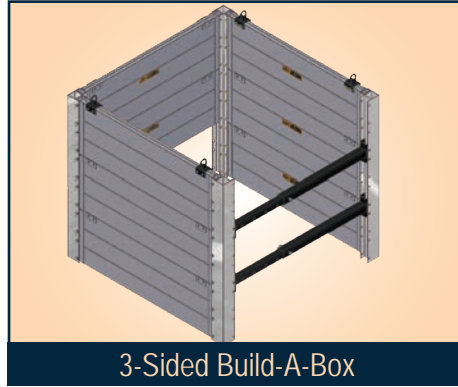
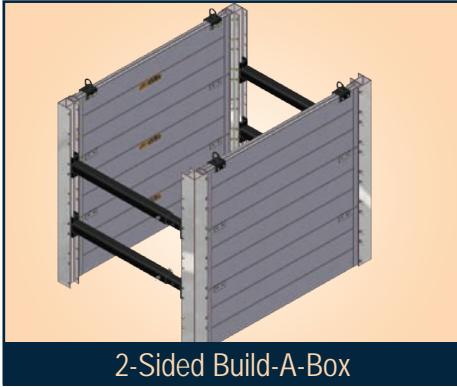
4-Sided Build-A-Box



Build-A-Box Octagon Box

Build-A-Box™

Modular Aluminum Trench Shielding System



Build-A-Box™ Modular Trench Shield - Two-Sided w/ Full Length or Sectional Corner Posts					
Panels (2 Ft. High)		Shield Capacity (PSF)	Depth of Cut (ft) - Soil Type		
Model	Weight (Lbs.)		B	C-60	C-80
BAB-2	34	2,400	53	40	30
BAB-3	46	2,400	53	40	30
BAB-4	60	2,400	53	40	30
BAB-5	71	2,400	53	40	30
BAB-6	84	2,400	53	40	30
BAB-7	99	1,740	39	29	22
BAB-8	110	1,440	32	24	18
BAB-9	125	1200	27	20	15
BAB-10	138	960	21	16	12
BAB-12	165	780	17	13	10
BAB-14	190	600	13	10	8
BAB-16	210	480	11	8	6

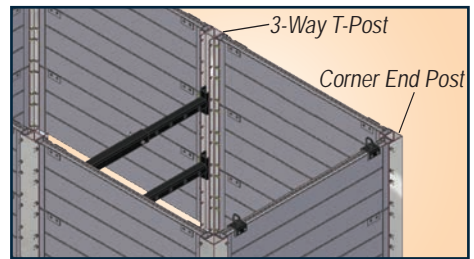
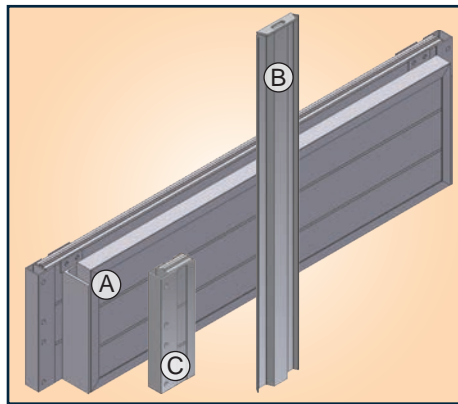
Corner End Posts		
Model	Length (In.)	Weight (Lbs.)
BAB-C2-2	24	18
BAB-C2-4	48	36
BAB-C2-6	72	53
BAB-C2-8	96	69
BAB-C2-10	120	88
BAB-C2-12	144	126

3-Way T-Posts		
Model	Length (In.)	Weight (Lbs.)
BAB-C3-2	24	19
BAB-C3-4	48	38
BAB-C3-6	72	57
BAB-C3-8	96	75
BAB-C3-10	120	95
BAB-C3-12	144	141

BAB Sheeting Guide Frames		
Model	Length (In.)	Weight (Lbs.)
BAB-SGF-4	48	119
BAB-SGF-6	72	190
BAB-SGF-8	96	245
BAB-SGF-10	120	316

Aluminum Sheets (with push caps)		
Model	Length (In.)	Weight (Lbs.)
BAB-ALUM-SHEET-6	72"	25 Lbs.
BAB-ALUM-SHEET-8	96"	33 Lbs.

FILLER PANEL		
Model	Length (In.)	Weight (Lbs.)
C	8"	14 Lbs.



Spreaders Single Adj. Square Tube		
Model	Length (In.)	Weight (Lbs.)
BAB-TS-1826	18 - 26	26
BAB-TS-2436	24 - 36	36
BAB-TS-3660	36 - 60	47
BAB-TS-4872	48 - 72	62
BAB-TS-6096	60 - 96	76
BAB-TS-72108	72 - 108	89
BAB-TS-84120	84 - 120	103
BAB-TS-96144	96 - 144	133

Height Adapters and Extensions			
Model	Description	Weight (Lbs.)	Depth of Cut (ft) C-60 - Soil Type
HABAB72-HEIGHT ADAPTER	72" (high) x 48"	620	14
HAEXT-BAB-24	24" Horiz. Extensions	110	14
HAEXT-BAB-36	36" Horiz. Extensions	140	14
HAEXT-BAB-48	48" Horiz. Extensions	170	14
HAEXT-BAB-60	60" Horiz. Extensions	200	14
HAEXT-BAB-72	72" Horiz. Extensions	230	14
HAEXT-BAB-84	84" Horiz. Extensions	260	14

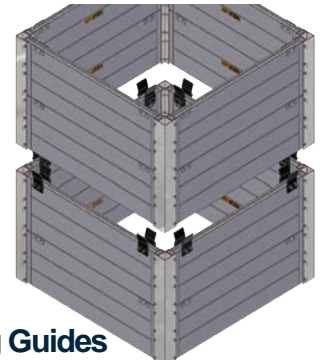
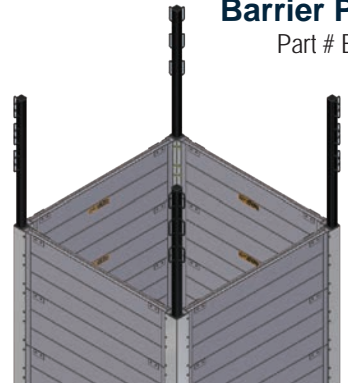
Accessories



Height Adapter
Part # HABAB72-HEIGHT ADAPTER



Barrier Posts
Part # BAB-BP



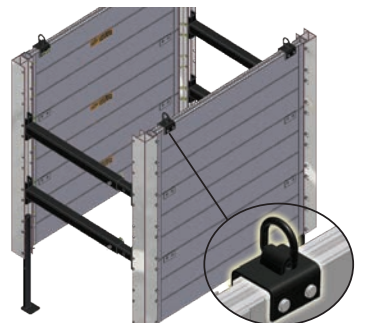
Stacking Guides
Part # BAB-STACKING GUIDE

Wheel Kit
Part # BBAC-WK



Adjustable Legs
Part # BAB-24-LEGS

Lifting Lug
Part # BAB-LE



Sheeting Guide Frame
Part # BAB-SGF



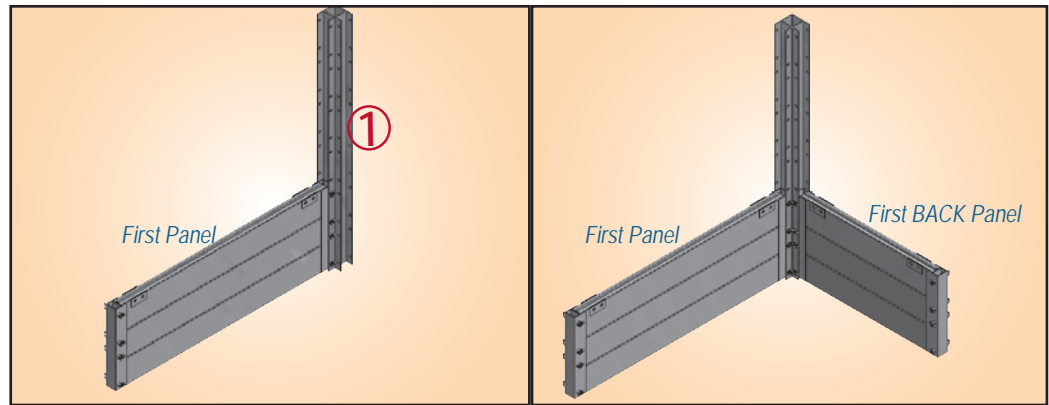
Aluminum Sheets
Part # BAB-ALUM-SHEETS
Sheets 6 and 8 ft. lengths



Assembly

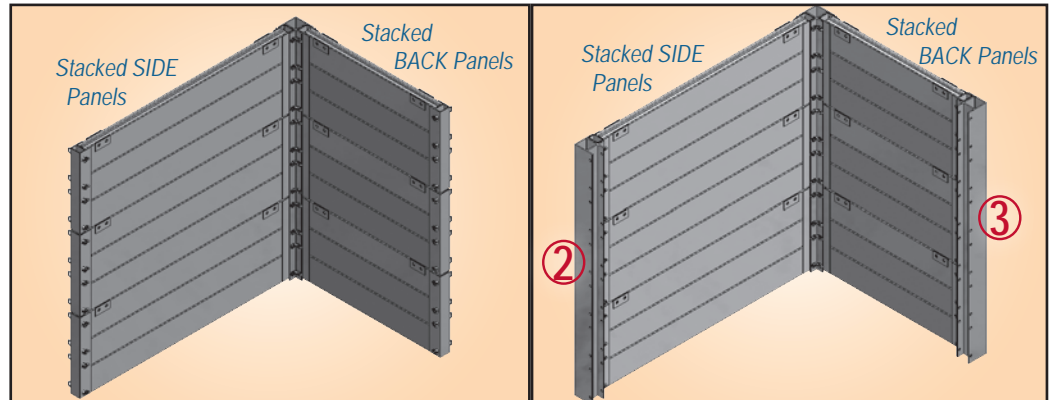
Step 1

Attach 1st corner post to first panel and secure with pins and keepers.* Set the BACK panel for 3 or 4-sided system and secure with pins and keepers in all matching holes.*



Step 2

Stack the SIDE and BACK panels to desired height before installing the 2nd and 3rd corner posts. Ensure that all matching holes have a pin and keeper.*

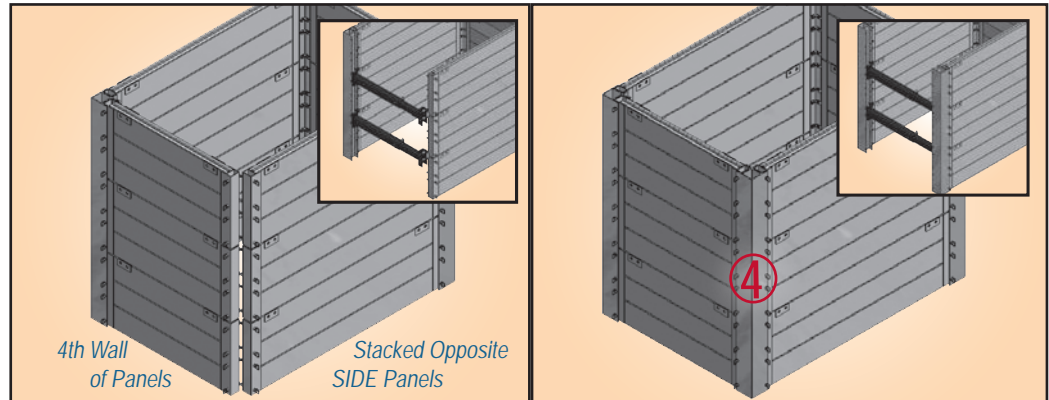


Step 3

Stack opposite SIDE panels to desired height, then add either a 4th wall of panels for a 4-sided system; or a set of at least two spreaders for a 3-sided system.

Step 4

The 4th corner post can then be slid into place. All matching holes require a pin and keeper.*
Note: A pry-bar may be needed to align posts with holes.



* Always install pins with handle on the outside.

For **Disassembly**: Do above steps in reverse order. Remove pins & keeps one at a time from one spreader, post, or panel. **DO NOT REMOVE ALL PINS AND KEEPERS AT ONE TIME.**

NOTES

1. Assemble on level ground.
2. Lift with factory supplied lift eyes.
3. All matching holes must have a pin and keeper.
4. System must be used in accordance to manufactures tabulated data.
5. Bottom panel may be omitted, allowing 2 feet open clearance, only if there is no possible loss of soil from behind or below the bottom of the shield.



Griswold Machine & Engineering

8530 M-60 Hwy
Union City, MI 49094
Phone: 1-800-248-2054
Fax: (517) 741-7483
www.gme-shields.com

